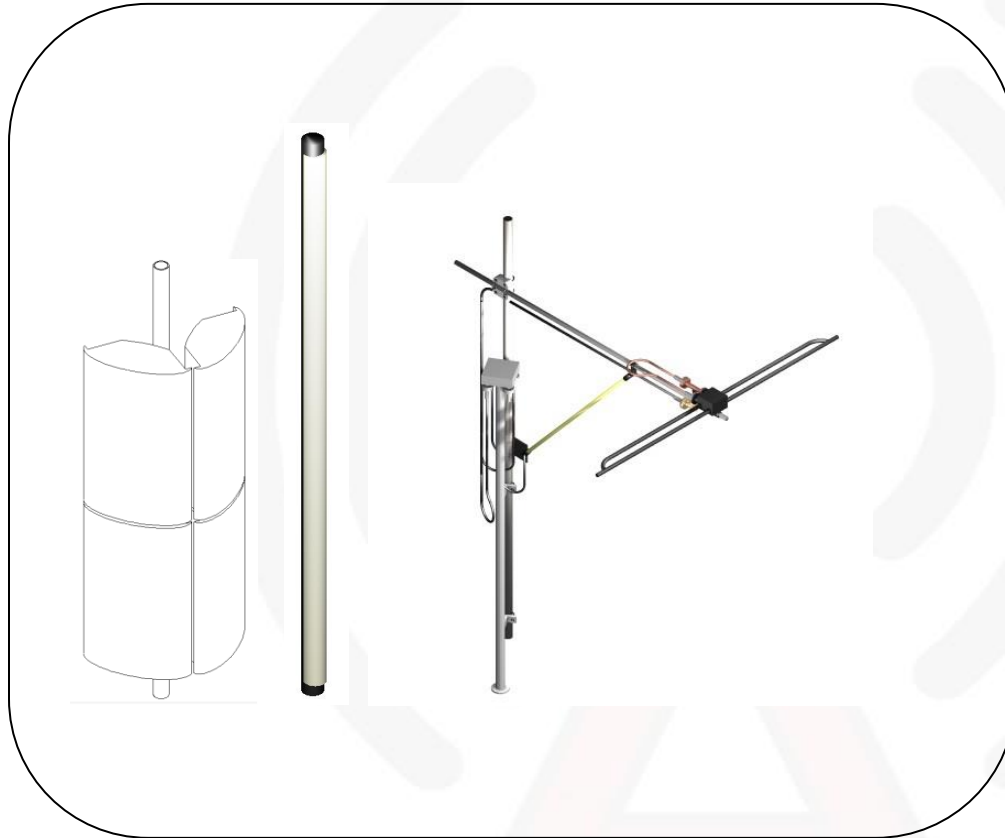


TV Antennas



VHF I, III UHF IV V

- Circular Polarization
- Vertical Polarization
- Horizontal Polarization
- Elliptical Polarization
- Multi-Channel Systems
- Directional Systems
- Low, Medium, and High Power Ratings
- Broadband Systems

SPECIFICATIONS

<i>Frequency</i>	VHF Band I, III UHF IV, V	<i>Connections Available:</i>	EIA: 7/8", 1-5/8", 3-1/8" EIA, 4-1/16", 6-1/8"
<i>Input Power Rating</i>	1 KW - 5 KW		
<i>Polarization</i>	Circular, Horizontal, Vertical, Elliptical		
<i>VSWR</i>	1.2:1 or better		

Notes:

- Rated at 2800 feet elevation. Derating begins after 2800 ft
- > 5 KW ratings available upon engineering review.
- Includes standing mounting brackets and attachment hardware.
- Antenna weight and wind load are approximate values for a typical structure. Final design loads may vary for the specific application.

Disclaimer: Specifications are subject to change without notice. Information may be changed or updated without notice. American Amplifier Technologies may also make improvements and/or changes in the products and/or pricing described in this information at any time without notice.